

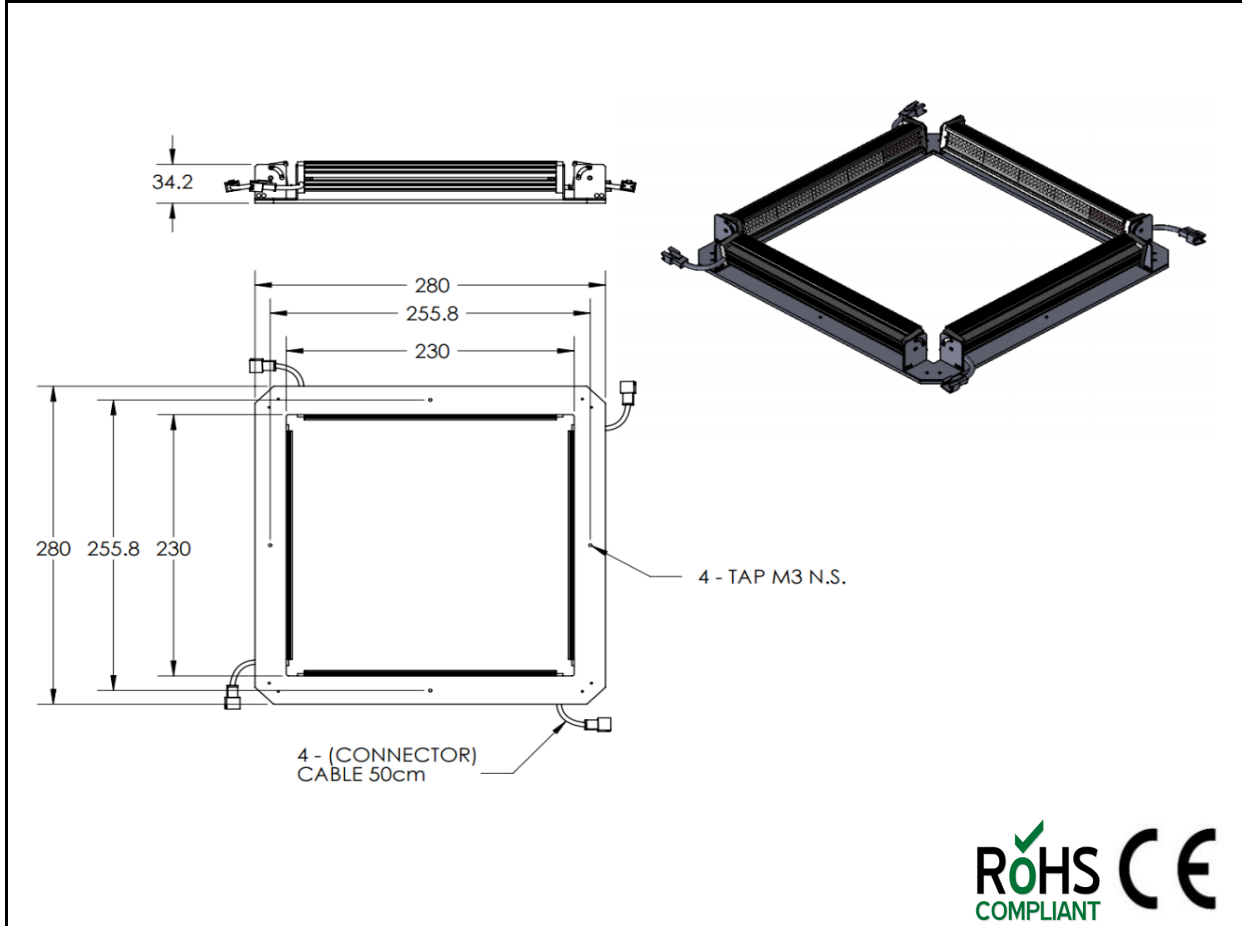


OPTO ENGINEERING

# ILLUMINATOR DATA

## LTZPFE200-00-3-W-24V

### Lighting Dimension



### Mechanical Information

|                           |           |
|---------------------------|-----------|
| Casing Material           | Aluminium |
| Storage Temperature Range | 0 - 45°C  |
| Storage Humidity Range    | 20 - 85%  |
| Weight                    | 900g      |
| Length / Outer Diameter   | 280mm     |
| Width / Inner Diameter    | 230mm     |
| Thickness / Height        | 34.2mm    |



OPTO ENGINEERING

# ILLUMINATOR DATA

## LTZPFE200-00-3-W-24V

| Lighting Information                        |   |         |         |       |       |       |       |       |       |       |       |      |      |   |       |       |       |       |   |       |       |       |       |
|---|---|---------|---------|-------|-------|-------|-------|-------|-------|-------|-------|------|------|---|-------|-------|-------|-------|---|-------|-------|-------|-------|
| Part Number                                 | LTZPFE200-00-3-W-24V  |         |         |       |       |       |       |       |       |       |       |      |      |   |       |       |       |       |   |       |       |       |       |
| LED Color                                   | WHITE   |         |         |       |       |       |       |       |       |       |       |      |      |   |       |       |       |       |   |       |       |       |       |
| Wavelength                                  | REFER TO CHROMACITY TABLE   |         |         |       |       |       |       |       |       |       |       |      |      |   |       |       |       |       |   |       |       |       |       |
| Working Distance                            | 335 mm  | 346 mm  | 357 mm  |       |       |       |       |       |       |       |       |      |      |   |       |       |       |       |   |       |       |       |       |
| Intensity ( $\pm 15\%$ )                    | 2940 lx   | 2920 lx | 2890 lx |       |       |       |       |       |       |       |       |      |      |   |       |       |       |       |   |       |       |       |       |
| Illumination (number of row)                | 3   |         |         |       |       |       |       |       |       |       |       |      |      |   |       |       |       |       |   |       |       |       |       |
| Illumination Active Area                    | Active Length / Outer Dia.  | 280 mm  |         |       |       |       |       |       |       |       |       |      |      |   |       |       |       |       |   |       |       |       |       |
|   | Active Width / Inner Dia.   | 230 mm  |         |       |       |       |       |       |       |       |       |      |      |   |       |       |       |       |   |       |       |       |       |
| Emission angle                              | 0   |         |         |       |       |       |       |       |       |       |       |      |      |   |       |       |       |       |   |       |       |       |       |
| Eye Safety Class ( IEC62471 )               | EXEMPT  |         |         |       |       |       |       |       |       |       |       |      |      |   |       |       |       |       |   |       |       |       |       |
| Chromaticity Table<br>For White colour only | <table border="1"><tbody><tr><td>X</td><td>0.296</td><td>0.287</td><td>0.307</td><td>0.311</td><td>X</td><td>0.311</td><td>0.307</td><td>0.33</td><td>0.33</td></tr><tr><td>Y</td><td>0.276</td><td>0.295</td><td>0.315</td><td>0.294</td><td>Y</td><td>0.294</td><td>0.315</td><td>0.339</td><td>0.318</td></tr></tbody></table> |         |         | X     | 0.296 | 0.287 | 0.307 | 0.311 | X     | 0.311 | 0.307 | 0.33 | 0.33 | Y | 0.276 | 0.295 | 0.315 | 0.294 | Y | 0.294 | 0.315 | 0.339 | 0.318 |
| X   | 0.296   | 0.287   | 0.307   | 0.311 | X     | 0.311 | 0.307 | 0.33  | 0.33  |       |       |      |      |   |       |       |       |       |   |       |       |       |       |
| Y   | 0.276   | 0.295   | 0.315   | 0.294 | Y     | 0.294 | 0.315 | 0.339 | 0.318 |       |       |      |      |   |       |       |       |       |   |       |       |       |       |

| Electrical Information                            |                   |
|---|-------------------|
| Rated Constant Voltage                            | 24V $\pm 2\%$     |
| Rated Constant Current                            | 840mA             |
| Power Consumption                                 | 20.16W            |
| Casing temperature,<br>After 60 minutes operation | 47.7 $^{\circ}$ C |

| Strobe Mode Specification     |                             |
|-------------------------------|-----------------------------|
| *Normal Strobe Voltage        | 24 V                        |
| *Normal Strobe Current        | 840 mA                      |
| Overdrive Voltage Range       | Min: 36V      Max: 48V      |
| Overdrive Current Range       | Min: 1.64 A      Max: 2.6 A |
| Recommended Overdrive Voltage | 36V                         |
| **Max. Trigger Pulse Duration | 10 msec                     |
| **Max. Duty Cycle             | 10%                         |

\*Normal strobe means the lighting is operated using the rated power. Overdrive means the power supplied to the lighting exceeded the rated power.

\*\*Overdrive condition must not exceed the max. trigger pulse duration and max. duty cycle.

# ILLUMINATOR DATA

## LTZPFE200-00-3-W-24V

| Connection Information   |             |        |              |
|--|-------------|--------|--------------|
| Connector Type (Default)   | JST SMR-03V |        |              |
| Cable Length   | 50 cm       |        |              |
| Pin Configuration<br><br> | Pin         | Signal | Cable Colour |
|  | 1           | LED +  | Red          |
|  | 2           | N.C    | -            |
|  | 3           | LED -  | White        |
|                          |             |        |              |

| Additional Information         |  |
|--------------------------------|--|
| Additional Cooling Method      | Attached to machine part for better heat dissipation |
| Intensity Controller Selection | SD, ST, ANG, LC, SDA, SDP series                     |
| CE Conformity                  | YES  |
| RoHS Compliance                | YES  |

| Application       |  |
|-------------------|--|
| Illumination Type | Direct Illumination                                      |
| Application Use   | Label Inspection, Character Inspection, Code Recognition |



OPTO ENGINEERING

# ILLUMINATOR DATA

## LTZPFE200-00-3-W-24V

| Lighting Pattern  |  |           |          |           |
|-------------------|--|-----------|----------|-----------|
| Working Distance  | For further details please contact us. |           |          |           |
| Display and Image |  |           |          |           |
| Data Results      | Horizontal                             | Meas.(mm) | Vertical | Meas.(mm) |
|                   | 90%                                    |           | 90%      |           |
|                   | 80%                                    |           | 80%      |           |
|                   | 70%                                    |           | 70%      |           |
|                   | 60%                                    |           | 60%      |           |
|                   | 50%                                    |           | 50%      |           |
|                   | 40%                                    |           | 40%      |           |
|                   | 30%                                    |           | 30%      |           |
|                   | 20%                                    |           | 20%      |           |
|                   | 10%                                    |           | 10%      |           |
|                   |  |           |          |           |